

LCD-Kit02A
VGA Input LCD Kit of
9.4" DSTN color 640x480 Display

©Copyright 2000 by ICP Electronics Inc. All Rights Reserved.
Manual first edition July 17, 2000.

The information in this document is subject to change without prior notice in order to improve reliability, design and function and does not represent a commitment on the part of the manufacturer.

In no event will the manufacturer be liable for direct, indirect, special, incidental, or consequential damages arising out of the use or inability to use the product or documentation, even if advised of the possibility of such damages.

This document contains proprietary information protected by copyright. All rights are reserved. No part of this manual may be reproduced by any mechanical, electronic, or other means in any form without prior written permission of the manufacturer.

Contents

| | |
|---|----|
| 1. Introduction..... | 2 |
| 1.1 Specifications | 3 |
| 1.2 What You Have | 4 |
| 2. Installation | 5 |
| 2.1 LCD-Kit02A Connection Board Layout..... | 6 |
| 2.2 Dimension Drawing..... | 7 |
| 3. LCD-Kit02A Connectors..... | 8 |
| 3.1 LCD-02 Connector Board Layout | 8 |
| 3.1.1 LCD Connector | 9 |
| 3.2 AV-6720 Control Board..... | 12 |
| 4. Appendix | 13 |
| Unpacking Precautions | |

1

Introduction

Welcome to the LCD-Kit02A 9.4" DSTN color LCD. The LCD-Kit02A is LCD panel with VGA input. It is made for the system manufacturers, integrators, or VARs that want to provide all the performance, quality and reliability.

The LCD-Kit02A is designed with 640 x 480 resolution color display and Low Reflection to present a High Image Quality. With its compact size (9.4"), LCD-Kit02A is also the most suitable solution for OA Equipment, Display Terminals, and Industrial portable Workstation LCD monitor.

The LCD-Kit02A comes with specifically designed mounting kit for fast installation. It is also *Plug and Play*, can be directly and easily connected to any VGA port.

1.1 Kit Specifications :

- Single Supply Voltage : +12V
- Outline Dimensions: 269.5mm x 209mm x 57.5mm
- Panel Size : 9.4" Diagonal
- Active Area : 191.99mm x 143.98mm
- Viewing Area : 196.0mm x 147.0mm
- Number of Pixels : 640 (W) x 480 (H)
- Pixel Format : 1 pixel = R + G + B dots
- Pixel Arrangement : R, G, B Vertical Strip
- Pixel Pitch : 0.30mm (H) x 0.30mm (V)
- Brightness : 60 cd/m²
- Viewing Direction : 6 o' clock (in direction of max. contrast)
- Viewing Angle : +/- 45° (H), -10° ~ +30° (V)
- Contrast Ratio : > 18
- Surface Treatment : Anti-glare and Hard Coat
- Backlight: Cold-cathode fluorescent lamps for sidelighting
- Operating Temperature : 0~50°C
- VGA Input
- RS232 I/F Touch Panel (option)

1.2 What You Have

In addition to this *User's Manual*, the LCD-Kit02A package includes the following items:

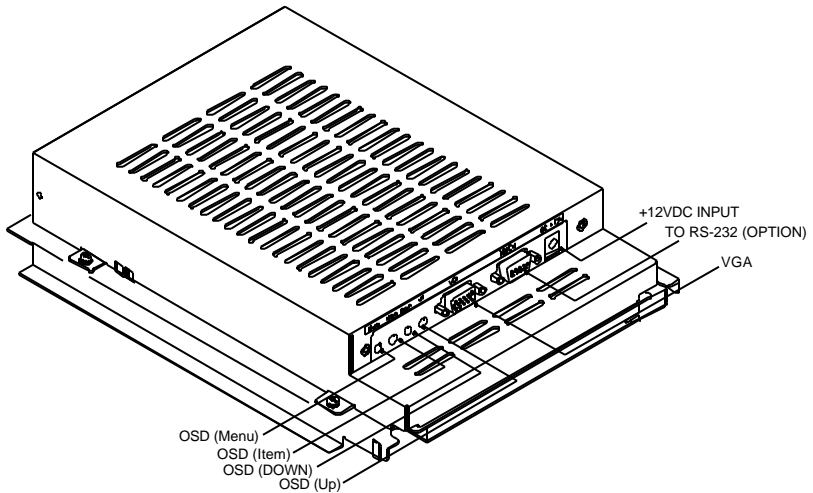
- 6720 User's Manual
- LCD-Kit02A User's Manual
- Power adapter
- AC power cord
- VGA cable (1.8M)

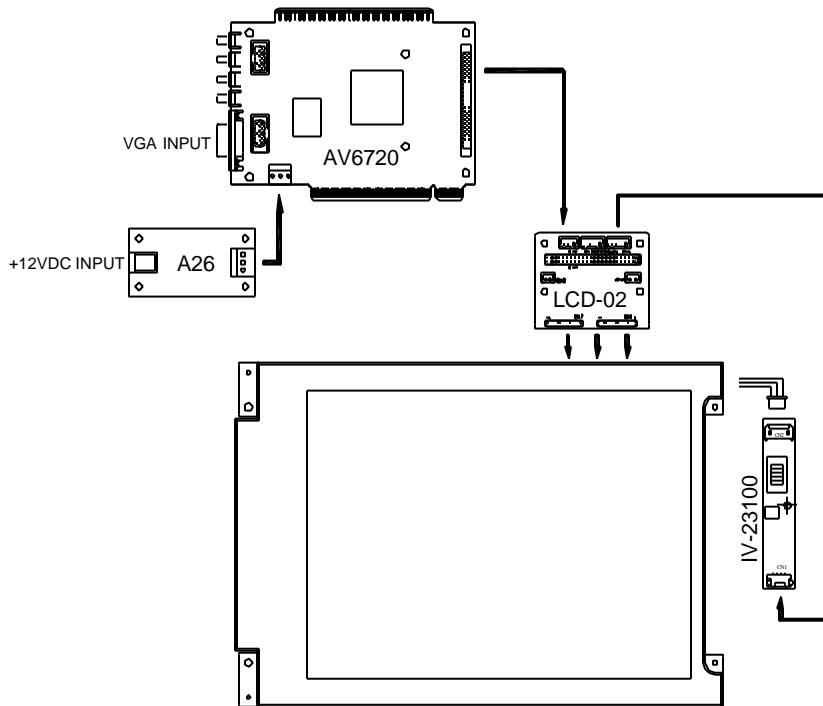
If any of these items is missing or damaged, contact the dealer from whom you purchased the product. Save the shipping materials and carton in case you want to ship or store the product in the future.

2

Installation

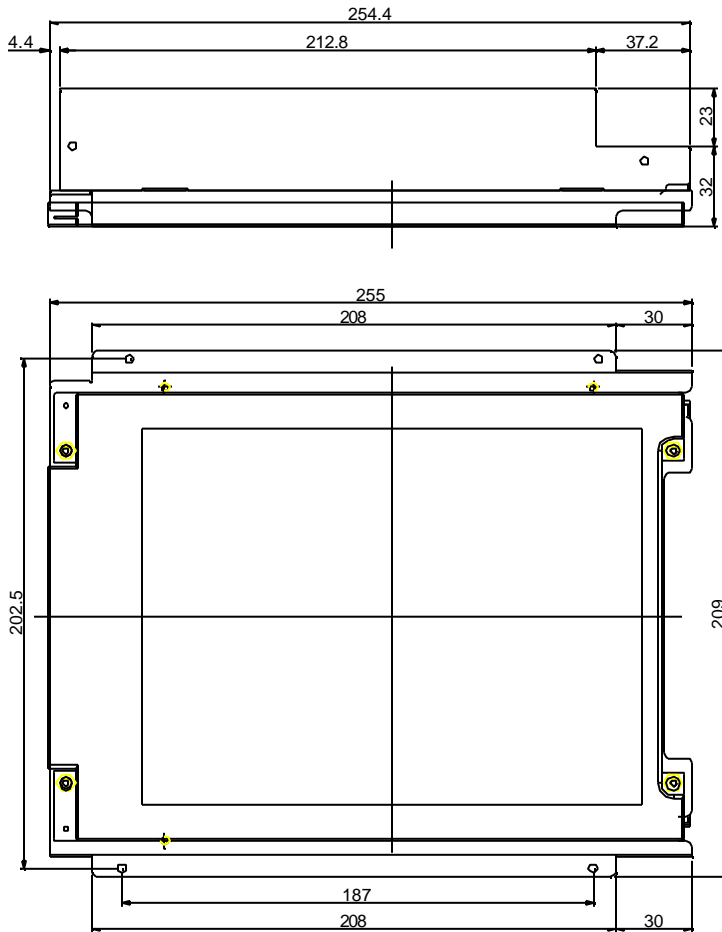
This chapter describes how to install the LCD-Kit02A and include all connections description such as jumpers, connectors and switches setting. The layout of LCD-Kit02A connectors are shown on the next chapter. The reference manual of AV-6720 control board are separated on attached booklet. Also the Unpacking Precautions are shown on appendix that you should be careful with are described on the following page.





2.1 LCD-Kit02A Connection Layout

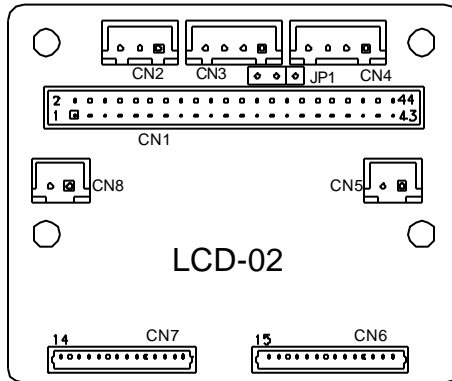
2.2 LCD-Kit02A Dimension Drawing



3

LCD-Kit02A Connectors

3.1 LCD-02 Connection Board Layout



3.1.1 LCD-02 Connector

- **JP1 : BACKLIGHT control**

| | | |
|---|---|---------|
|  | 1 | FPVEE |
| | 2 | CONTROL |
| | 3 | ENABKL |

1-2 short : Backlight control using FPVEE

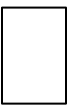
2-3 short : Backlight control using ENBKL (default)

- **CN1: Panel Signal from CPU board (reference)**

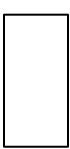
| PIN NO | FUNCTION | PIN NO | FUNCTION |
|--------|-----------|--------|----------|
| 1 | +12V | 23 | P14 |
| 2 | +12V | 24 | P15 |
| 3 | GND | 25 | P16 |
| 4 | GND | 26 | P17 |
| 5 | PLCD | 27 | P18 |
| 6 | PLCD | 28 | P19 |
| 7 | FPVEE/VEE | 29 | P20 |
| 8 | GND | 30 | P21 |
| 9 | P0 | 31 | P22 |
| 10 | P1 | 32 | P23 |
| 11 | P2 | 33 | GND |
| 12 | P3 | 34 | GND |
| 13 | P4 | 35 | SHFCLK |
| 14 | P5 | 36 | FLM |
| 15 | P6 | 37 | M |
| 16 | P7 | 38 | LP |
| 17 | P8 | 39 | GND |
| 18 | P9 | 40 | ENBKL |
| 19 | P10 | 41 | GND |
| 20 | P11 | 42 | N/C |
| 21 | P12 | 43 | PLCD |
| 22 | P13 | 44 | PLCD |

- SHFCLK:** Shift Clock. Pixel clock for flat panel data.
- FLM:** First Line Marker.Flat Panel equivalent of VSYNC.
- LP:** Latch Pulse(may also be called CL1).
- M:** M signal for panel AC drive control (may also be called ACDCLK).
- ENABKL:** power sequencing control for enabling the backlight
- FPVEE:** Power sequencing control for panel bias voltage VEE. May also be configured as ENABKL

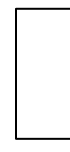
● **CN2: Panel contrast adjust**

| | | |
|---|---|-----------|
| 1  3 | 1 | +VEE |
| | 2 | Vcontrast |
| | 3 | GND |

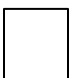
● **CN3 :Power Connector for Backlight inverter**

| | | |
|---|---|---------|
| 1  4 | 1 | POWER |
| | 2 | CONTROL |
| | 3 | GND |
| | 4 | VR |

● **CN4 : reserved for touch panel**

| | | |
|---|---|------|
| 1  4 | 1 | +12V |
| | 2 | GND |
| | 3 | GND |
| | 4 | VCC |

● **CN5 : INVERTER POWER SWITCH**

| | | |
|---|---|------|
| 1  2 | 1 | +12V |
| | 2 | |

| | | |
|--|---|-------|
| | 2 | POWER |
|--|---|-------|

Default : 1-2 short

● **CN6 : Panel interface channel one**

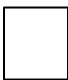
| PIN | FUNCTION |
|-----|----------|
| 1 | FLM |
| 2 | M |
| 3 | FPVEE |
| 4 | LP |
| 5 | GND |
| 6 | SHFCLK |
| 7 | GND |
| 8 | P11 |
| 9 | P10 |
| 10 | P9 |
| 11 | P8 |
| 12 | P3 |
| 13 | P2 |
| 14 | P1 |
| 15 | P0 |

● **CN7 : Panel interface channel two**

| PIN | FUNCTION |
|-----|----------|
| 1 | P15 |
| 2 | P14 |
| 3 | P13 |
| 4 | P12 |
| 5 | P7 |
| 6 | P6 |
| 7 | P5 |
| 8 | P4 |
| 9 | VCC |
| 10 | GND |
| 11 | GND |

| | |
|----|------|
| 12 | +VEE |
| 13 | +VEE |
| 14 | VO |

- **CN8 : Backlight Brightness control for external VR**

| | | | |
|---|---|---|-----|
| 1 |  | 1 | VR |
| 2 | | 2 | GND |

Default : 1-2 short

3.2 AV-6720 Control Board

The AV-6720 Control Board is worked for VGA control; all detail as feature and connection information please refer to “AV-6720 User Manual”

Appendix

Unpacking Precaution

- ✓ Some components on LCD-Kit02A are very sensitive to static electric charges and can be damaged by a sudden rush of power. Ground yourself to remove any static charge before touching your LCD-Kit02A. You can do it by using a grounded wrist strap at all times or by frequently touching any conducting materials that is connected to the ground.
- ✓ Do not touch the inner side of LCD panel and the connector/cable of fluorescent lamp/backlight when the power is on. The inverter supplies HIGH VOLTAGE to these parts (~ 550Vrms).
- ✓ Disconnect power supply before handling and doing connection on LCD-Kit02A. Do not plug any connector or jumper while the power is on. It will cause fatal damage to your LCD panel.
- ✓ Make sure that every connector is connected in correct direction. Any incorrect connection may cause smoke or burn of electrical parts or fatal damage of your LCD panel.
- ✓ Be careful with the liquid crystal material. Do not swallow, inhale or have skin contact with this material in case that the LCD panel is broken and the liquid flow out. If you inhale the liquid material, rinse your mouth immediately with water then go to see a doctor. If you have skin contact with the liquid, wash it immediately with alcohol. Be careful, too, with the chips of glass if the panel is broken.

- ✓ For outdoor usage, an ultra-violet ray protect-lens is recommended to apply onto LCD display. It will prevent your LCD from strong sunlight, scratches, dust and water invasion etc. which can cause damage to the LCD display.